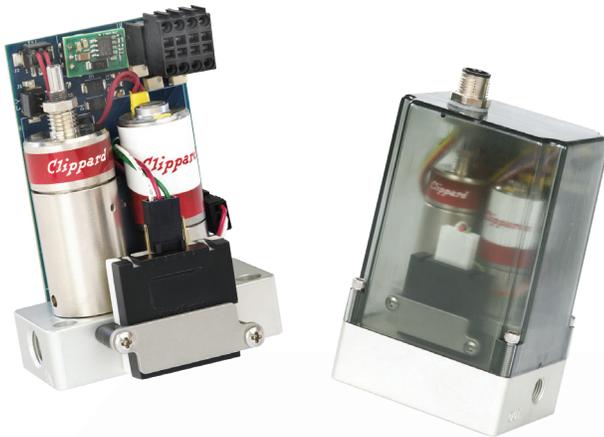


CFC FLOW CONTROLLER



The Cordis flow controller utilizes an extremely fast-reacting mems technology sensor upstream from a proportional valve, with the option of a DR-2 regulator for accurate and precise pressure control in a small package. Unlike other mass flow controllers that require a 30 minute warm-up time, large differential pressures, and limited flow ranges, the award-winning Cordis requires less than one minute warm-up, its pressure drop is $\leq 14''$ (35.6 cm) H_2O , and it features flow ranges as low as 0 to 30 sccm. Standard control options include 0.1 to 5 or 0.2 to 10 VDC, 4.32 to 20 mA, and 3.3 VDC Serial.

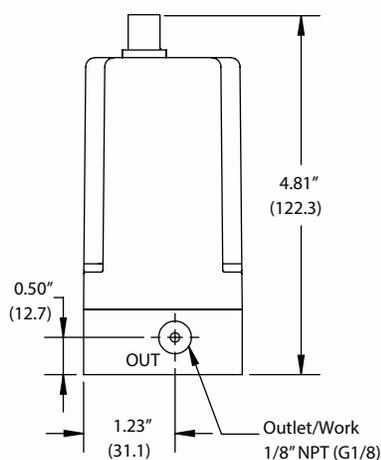
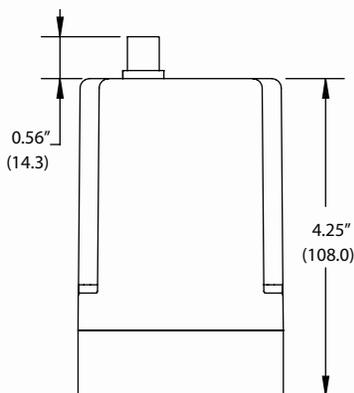
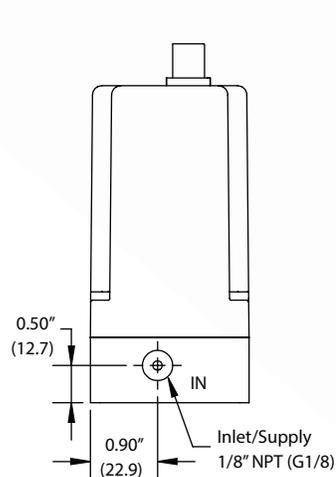
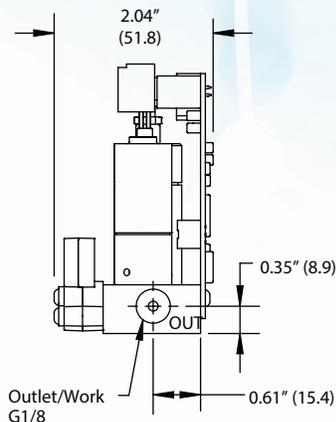
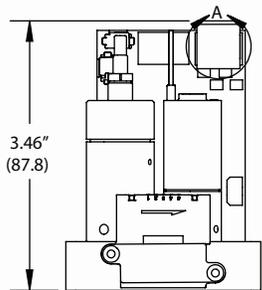
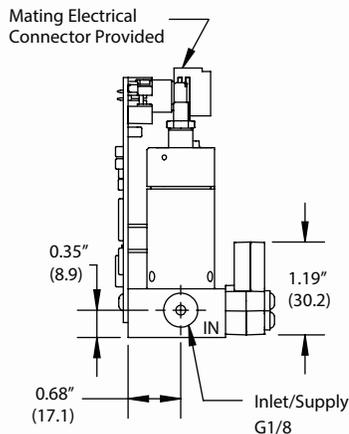
- 50:1 turndown ratio
- Compact size and weight
- $\leq 14''$ H₂O pressure drop
- <1 minute warm-up
- Multiple low flow ranges
- <50 ms response times
- ≤ 25 mV resolution
- Optional integrated regulator
- OEM style card unit or IP65 housed unit for light industrial applications

Accuracy	$\leq 2\%$ of full scale
Current Draw	≤ 250 mA max.
Filtration	40 micron filter (recommended)
Flow Range Sensors	0 to 0.03 l/min, 0 to 0.2 l/min, 0 to 0.5 l/min, 0 to 1 l/min, 0 to 4 l/min, 0 to 6 l/min, 0 to 15 l/min
Function	Normally-closed proportional
Hysteresis	$\leq 1\%$ max.
Inlet	60 psig max. (4.1 bar)
LED Indicators	Power (red) and command mode (blue—solid indicates analog, flashing indicates serial)
Linearity	$\leq 1\%$
Material, Wetted	Manifold: Anodized aluminum IP65 Housing: Polycarbonate Regulated Supply: ENP brass Sensor: Polyamide Valve, EVP: ENP brass Valve, DVP: Stainless steel, PPS
Medium	Clean, dry, non-corrosive gases
Mounting Attitude	Any
Operating Flow Range	0-15 l/min
Porting	1/8" NPT, G1/8
Pressure Drop	$\leq 14''$ (35.6 cm) H_2O
Protection Rating	IP65 (housed unit only)
Repeatability	$\leq 1\%$
Resolution	≤ 25 mV
Response Time	<50 ms typical (application dependent)
Signal/Command	0.2 to 10 VDC, 4.32 to 20 mA, 3.3 VDC serial
Supply Voltage	15 to 24 VDC
Temperature Range	32 to 120°F (0 to 49°C), proportional valves
Turndown Ratio	50:1
Warm-Up Period	<1 minute
More Details	clippard.com/link/cordis-cfc

The Cordis is highly modifiable for OEM applications. Contact us today to discuss your specific needs.



Card Unit (CFC-C)

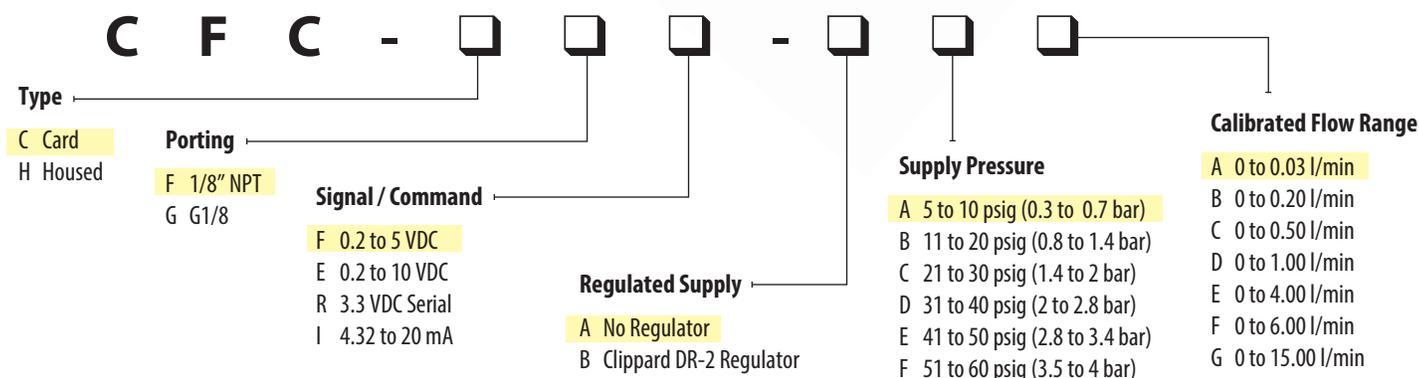


Housed Unit (CFC-H)

See p. 17 for mounting bracket dimensions (utilizes same mounting bracket as CHP)

Dimensions shown are in inches (millimeters listed in parentheses). Visit clippard.com for more detailed 2D and 3D drawings.

ORDERING INFORMATION



ACCESSORIES

CPCH-C1	Actuation Cable, 8-Pin, 6' (1.8 meters)
CPCH-C2	3.3 VDC Serial Cable, 3' (0.8 meters)
CPCH-B2	Mounting Bracket
CPCH-CA6	Power Cord, 6' (card unit only)

Example Part Number:

CFC-CFF-AAA

For more info, scan the QR code or visit

clippard.com/link/cordis-cfc

